



heripack
verpackungsmaschinen.

case sealer HV-T52

The Case sealer HV-T52 seals the bottom and the lid of the box with self-adhesive tape in one single operation, after the inside and outside flaps of the box lid have been closed manually.



HERIPACK – simply well packed.

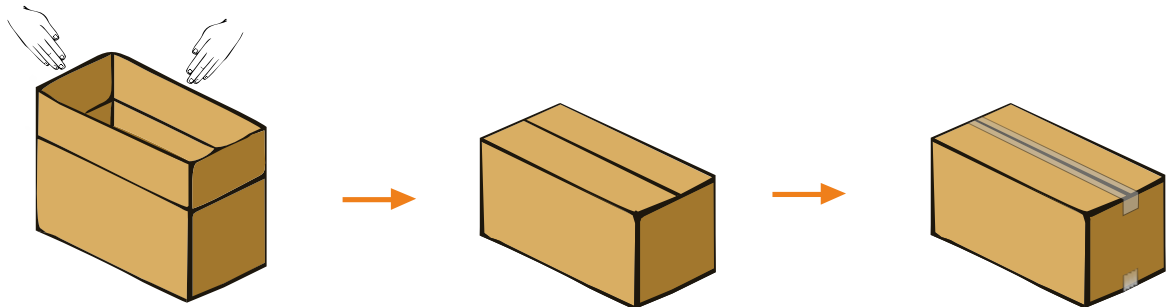


heripack
verpackungsmaschinen.

case sealer HV-T52

description of function

The Heripack case sealer receives the folded boxes from the previous operation. With production processes in batches, only one size of box is sealed at the top and bottom with tape. The case sealer is set manually beforehand to the desired box size. The box is held in position and guided through the sealing operation by the lateral conveying belts. The front and lid flaps are folded manually by the operator. Because of the large rolls of tape used, frequent changing of material is unnecessary, thereby increasing the speed of production.



your advantages

- » right-angled sealing of boxes
- » wide range of formats
- » no-tools needed to change formats or material, therefore
- » shorter set-up times
- » low-maintenance robust sealing head for self-adhesive tape of standard width 50 mm
- » fully automatic sealing of top and bottom
- » use of tough long-life technology throughout
- » 24 month's guarantee, no restriction on quantity

options available

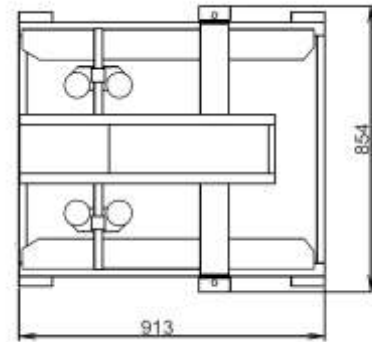
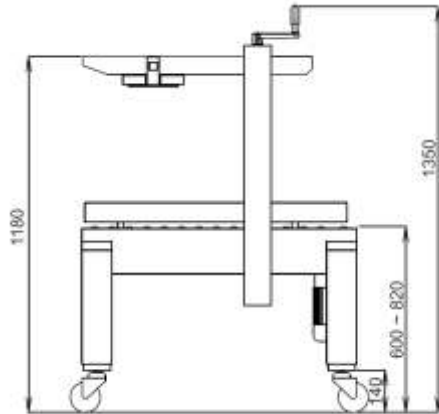
- » self-adhesive tape in widths 38 mm or 75 mm
- » marking systems
- » tape roll at infeed and outfeed
- » integration in your transport system
- » conversion to low packaging possible
- » stainless-steel structure
- » tape-monitoring system
- » connection for 230V
- » versions available for "only" top or bottom.

Alternative options, functions and components, as well as customised dimensions available on request!

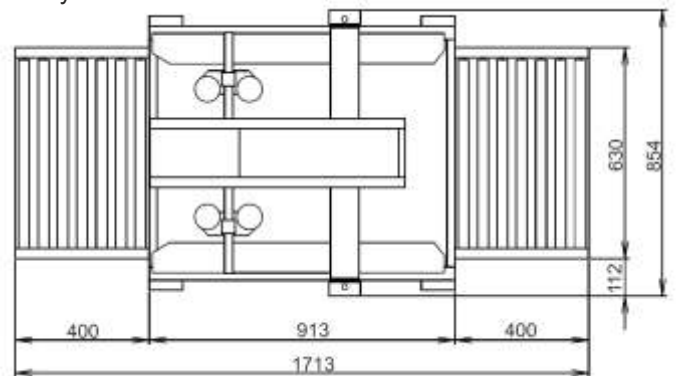
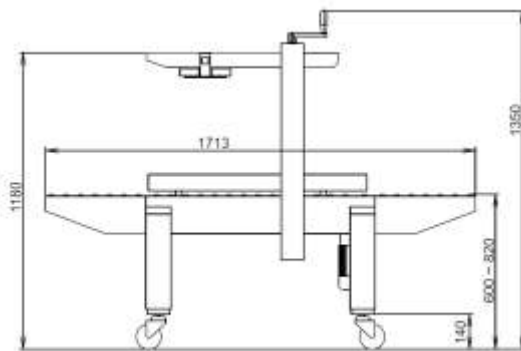


heripack
verpackungsmaschinen.

case sealer HV-T52



With option of roller conveyor at infeed or outfeed



format range and capacity

outer dimensions	minimum	maximum
length (L)	120 mm	∞ mm
width (W)	110 mm	520 mm
height (H)	120 mm	520 mm
capacity:	23* m / min., carton size - depending	
format change:	approx. 2 minutes	

* The capacity depends on the carton size.

tape roll

glue type	hotmelt or natural rubber
length	990 m
outer Ø	225 mm
tape width	38 mm, 50 mm or 75 mm
colour	transparent or brown

interfaces

exit height, case bottom:	600 mm - 820 mm
height adjustment:	+/- 50 mm
connected voltage:	400 V AC, 50 Hz, 3 L-N-P-E
wattage:	0,45 kW
shipping weight:	ca. 150 kg
space required:	913 x 854 x 1.350 mm

carton and product criteria

carton type (Fefco):	carton adjoining at centre
corrugation type:	B, C, E - wave
no. of corrugation layers:	one, two- or three-wave
weight of filled carton:	max. ca. 25 kg

Further carton types and formats available on request.



heripack
verpackungsmaschinen.

For over 40 years, Heripack Verpackungsmaschinen GmbH & Co. KG has been developing customised solutions for final packaging and palletising which are as individual as our customers themselves.

In developing our solution for you, it is important for us to remain flexible in our design concept. We listen carefully. We understand your aims. Which functions do you need? What special demands have to be met? This makes us part of your own unique production environment.

Even with complex tasks, we aim to keep things as simple as possible. To think and act from the point of view of the customer while retaining a high degree of intelligent pragmatism. As a flexible partner and specialist in the field of final packaging and palletising.

From our headquarters in Meschede, we supply semi-automatic high-performance packaging units as a first stage in automation, as well as fully automatic solutions for final packaging and palletising - everything from one single source. We use standard and special machines which our customers value for their quality, toughness and long life span.

Our best reference? Long-standing fully satisfied customers⁴

FINAL PACKAGING

box erectors • inserting • sealing • lidding and multipack machines • semi-automatic high-performance packaging stations

PALLETSTATION

layer • robotic • portal and column-type palletising units • Pallet-unloading units • pallet-securing • pallet-transport technology.

Heripack Verpackungsmaschinen GmbH & Co. KG
Linsemecke 6
59872 Meschede
phone: +49 291 9947-0 • fax: +49 291 9947-47
e-Mail: info@heripack.de • www.heripack.de